



001 ENVIRONMENTAL FRIENDLY

No spill of fluid to sea during connect/disconnect and operation.
No water ingress in hydraulic lines.
Double barrier seal system.

002 INTEGRATED VALVES

Integrated ball valves operated by ROV handle. Valve operation only feasible with ValveStab fully mated, and will open/close valves on both stab and receptacle in one go.

BLUE LOGIC VALVE STAB SYSTEM

Patented ValveStab system combining hot stab and ball valve technologies in one quick-connector. Connect and disconnect with no fluid spill or water ingress. Stab and receptacle holds full working pressure both connected and disconnected.

003 COMPLETE RANGE – Ø55 THRU Ø200

Available in the following sizes for maximum flexibility wrt. flow and pressure:
Ø55, Ø55/Ø57, Ø60, Ø63/Ø65, Ø150, Ø200.

Up to 6 separate ports with full bore through.

005 SUBSEA SIMPLICITY

As the receptacle may contain up to 6 isolation valves, subsea ROV panels can be designed without additional valves and valve handles. As result; less piping and fittings reducing both complexity and cost.



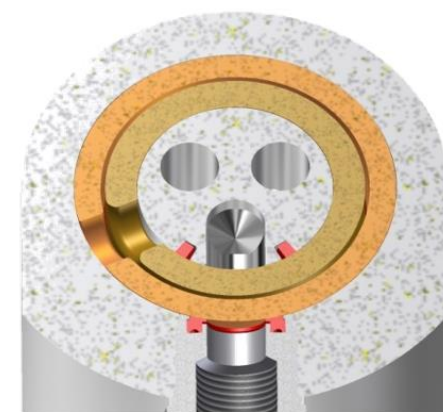
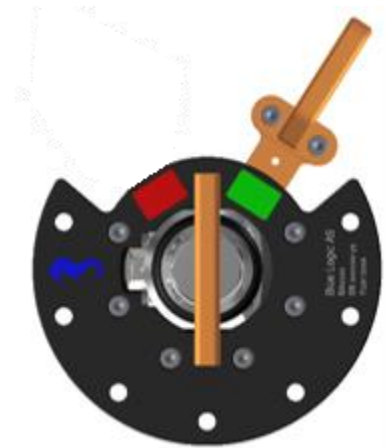
004 WEAK LINK

Weak link feature available for emergency disconnect. When the stab is inserted and valves opened, the stab is locked to the receptacle. By implementing the weak link, the stab can be disconnected even if the valves are in open position in an emergency situation.



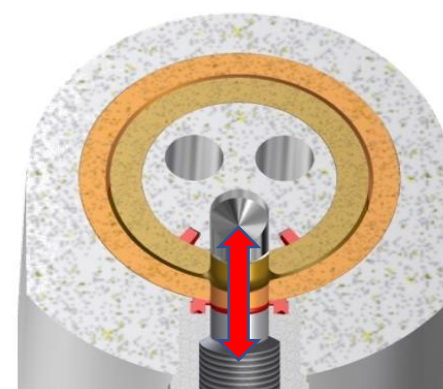
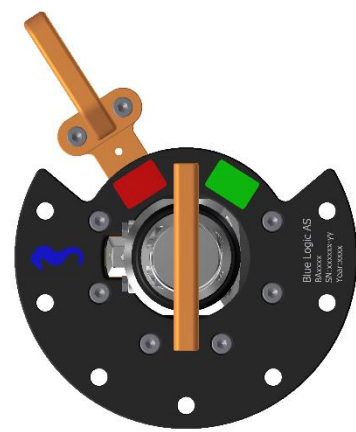
BLUE LOGIC VALVESTAB SYSTEM

As illustrated to the right, the stab and receptacle have rotating sleeves for opening and closing the valve function. The sleeves will rotate in a synchronized manner as the valve-handle on the receptacle is rotated between open and closed position. For safety reasons, valve operation is only feasible when the Vstab is fully mated with the receptacle. Similar, it is impossible to disconnect Vstab from the receptacle unless the valves are fully closed.



Section View; Valve Closed

Core sleeves in both stab and receptacle in closed position



Section View; Valve Open

Valve handle on receptacle operated CCW to rotate stab and receptacle core sleeves to allow free flow.

Technical Data

Design standard	API 6A , ISO 10423 , NE-EN 13445
Stab diameter	Ø55, Ø55/Ø57, Ø60, Ø63/Ø65, Ø150, Ø200
Depth rating	3000m
Operating temperature	-4 to +60°C
Max flow	Up to 1200l/min
Material, body¹	S165M for intervention / short time operation, Super Duplex for long term / permanent operation
Material, seals²	HPU
Fluid compatibility³	Mineral based control fluids Synthetic control fluids
Hydraulic bore	1/4" – 2"
Working pressure⁴	Up to 15 000Psi / 1380 Bar

1: Other materials available upon request

2: Material to suit special medium available upon request

3: For special fluids, contact Blue Logic